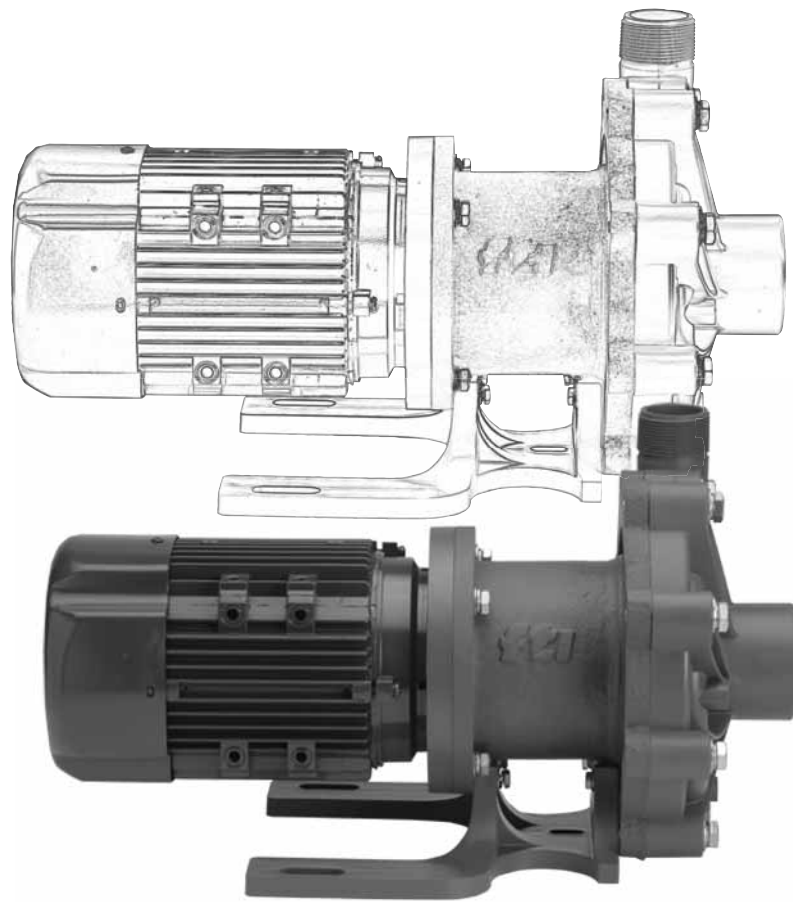


DB6-10 SERIES OUTLINE DIMENSIONS

Literature ID No. FT08-1024



FINISH THOMPSON INC.

921 Greengarden Road • Erie, PA 16501-1591 U.S.A.

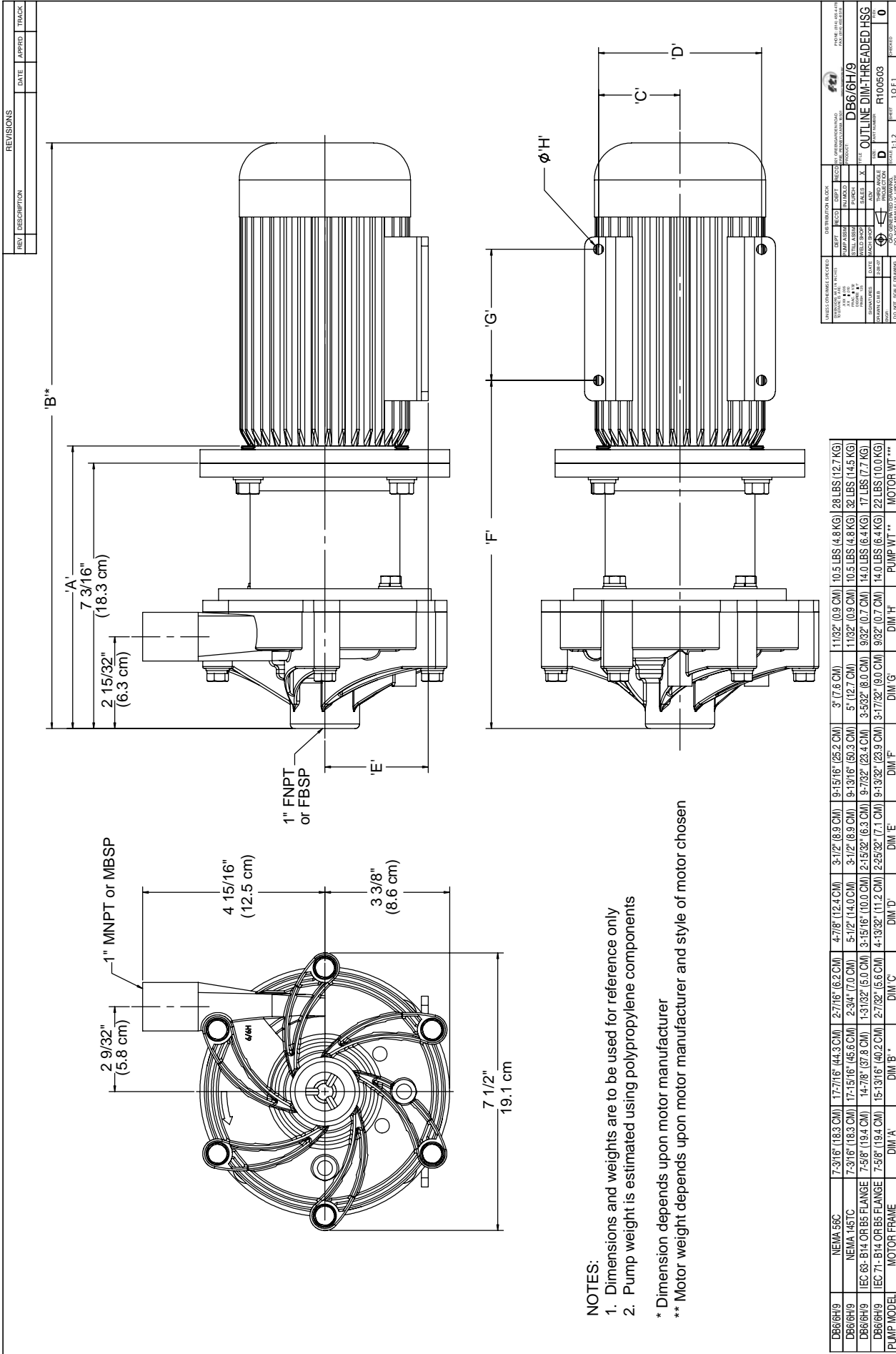
Ph 814-455-4478 • Fax 814-455-8518

Email fti@finishthompson.com • www.finishthompson.com

TABLE OF CONTENTS

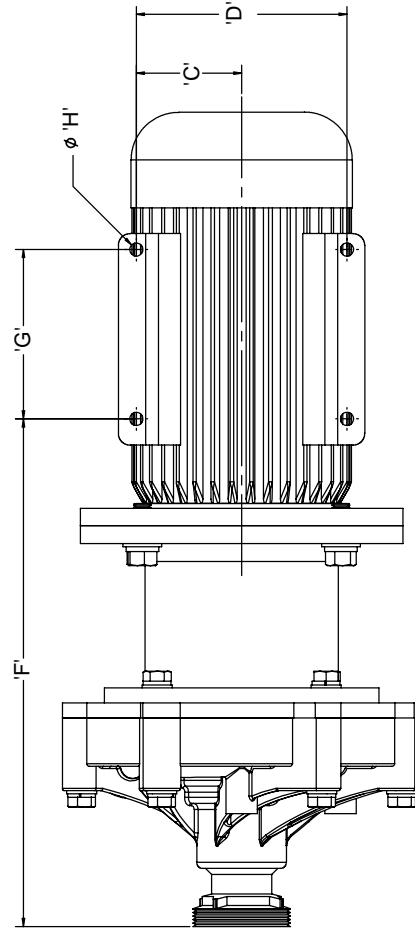
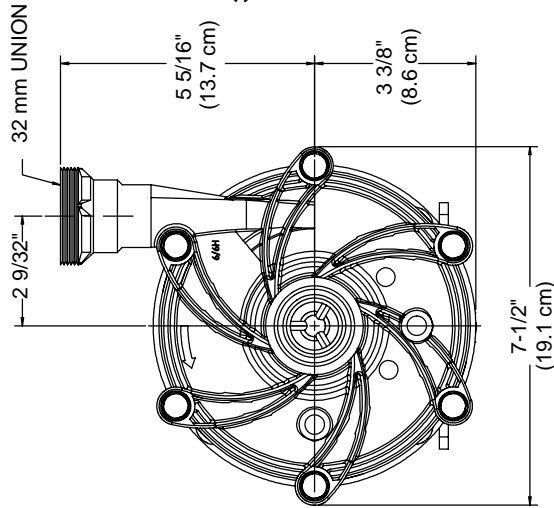
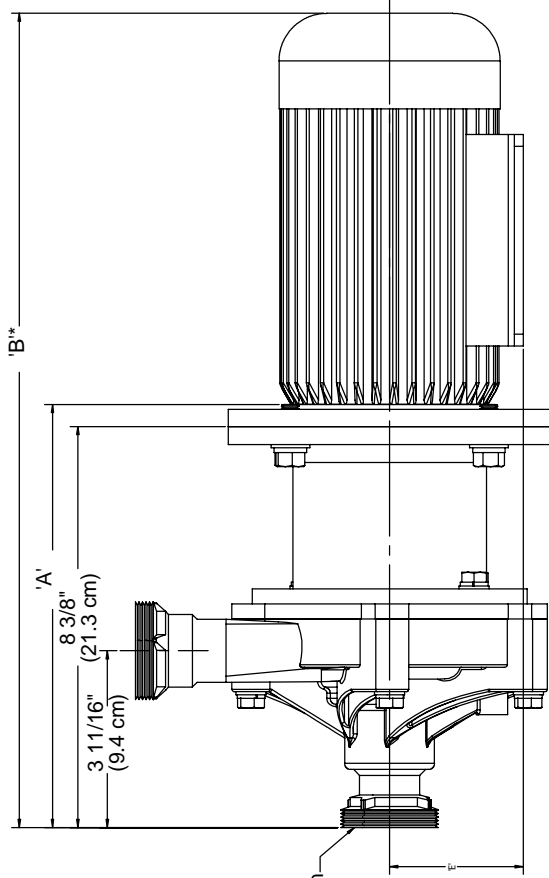
Drawing	Page No.
DB6/6H/9 Outline Dimensions	
Threaded.....	3
Union.....	4
Flanged.....	5
DB8 Outline Dimensions	
Threaded.....	6
Union.....	7
Flanged.....	8
DB7/10 Outline Dimensions	
Threaded.....	9
Union.....	10
Flanged.....	11

DB6/6H/9 Outline Dimensions - Threaded Housing (R100503)



DB6/6H/9 Outline Dimensions - Union Housing (R100504)

REV.	DESCRIPTION	DATE	APPROV.	TRACK



- NOTES:**
1. DIMENSIONS AND WEIGHTS ARE TO BE USED FOR REFERENCE ONLY.
 2. PUMP WEIGHT IS ESTIMATED USING POLYPROPYLENE PUMP COMPONENTS.
- * DIMENSION DEPENDS UPON MOTOR MANUFACTURER
 **MOTOR WEIGHT DEPENDS UPON MOTOR MANUFACTURER AND STYLE OF MOTOR CHOSEN.

REV.	DESCRIPTION	DATE	APPROV.	TRACK

PUMP MODEL	MOTOR FRAME	DIM A'	DIM B'	DIM C'	DIM D'	DIM E'	DIM F'	DIM G'	DIM H'	PUMP WT.	MOTOR WT.
DB6/6H/9	NEMA 56C	8-3/8" (21.3 CM)	18-11/16" (47.5 CM)	2-7/16" (6.2 CM)	4-7/8" (12.4 CM)	3-1/2" (8.9 CM)	11-3/16" (28.4 CM)	3" (7.6 CM)	11/32" (0.9 CM)	10.5 LBS (4.8 KG)	28 LBS (12.7 KG)
DB6/6H/9	NEMA 145TC	8-3/8" (21.3 CM)	19-3/16" (48.7 CM)	2-3/4" (7.0 CM)	5-1/2" (14.0 CM)	3-1/2" (8.9 CM)	11-1/8" (28.3 CM)	5" (12.7 CM)	11/32" (0.9 CM)	10.5 LBS (4.8 KG)	32 LBS (14.5 KG)
DB6/6H/9	IEC 63-B14 OR B5 FLANGE	8-27/32" (22.5 CM)	16-1/8" (41.0 CM)	1-31/32" (5.0 CM)	3-15/16" (10.0 CM)	2-15/32" (6.3 CM)	10-5/32" (26.6 CM)	3-5/32" (8.0 CM)	9/32" (0.7 CM)	14.0 LBS (6.4 KG)	17 LBS (7.7 KG)
DB6/6H/9	IEC 71-B14 OR B5 FLANGE	8-27/32" (22.5 CM)	17-1/16" (43.3 CM)	2-7/32" (5.6 CM)	4-13/32" (11.2 CM)	2-25/32" (7.1 CM)	10-21/32" (27.1 CM)	3-17/32" (9.0 CM)	9/32" (0.7 CM)	14.0 LBS (6.4 KG)	22 LBS (10.0 KG)

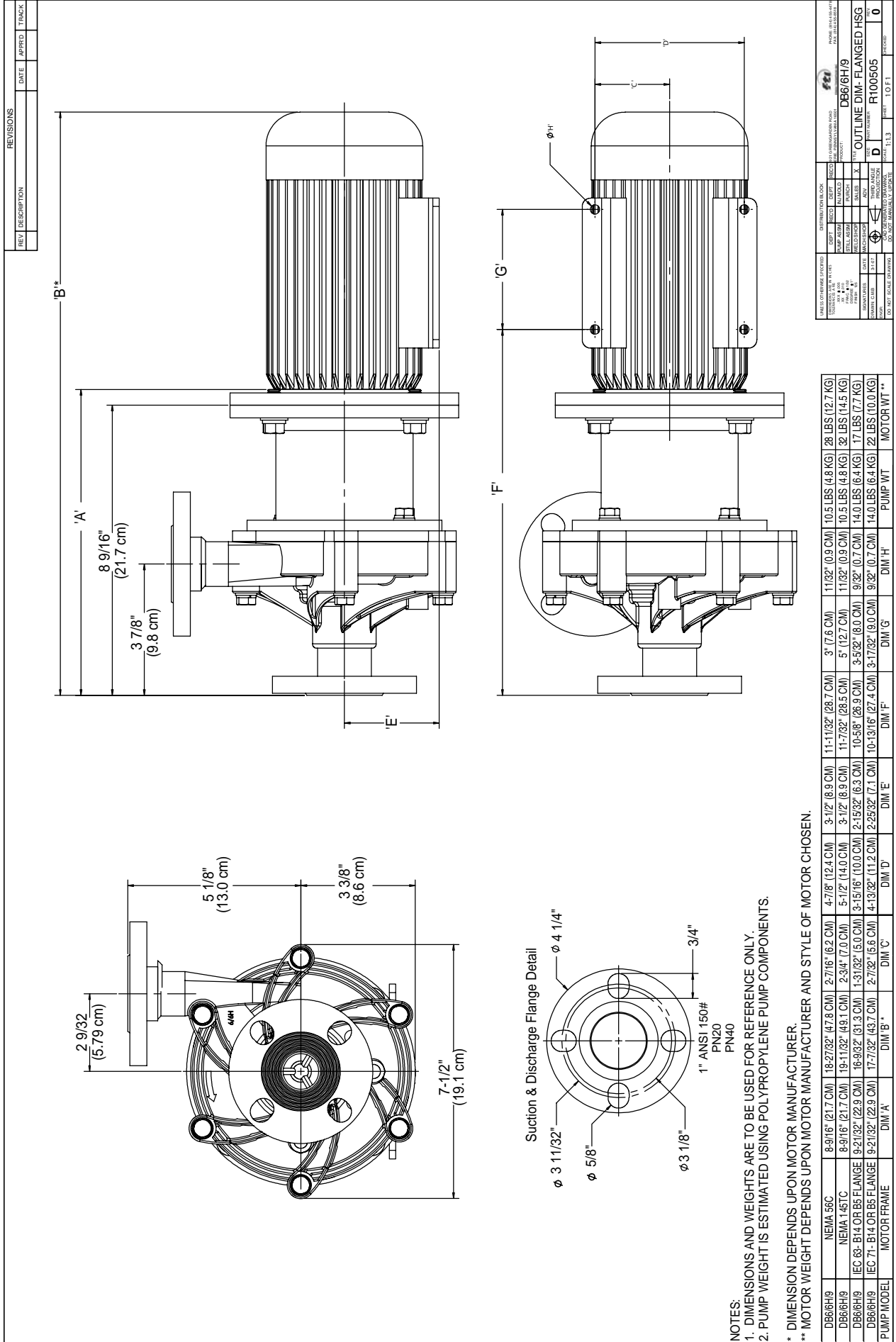
REV.	DESCRIPTION	DATE	APPROV.	TRACK

REV.	DESCRIPTION	DATE	APPROV.	TRACK

REV.	DESCRIPTION	DATE	APPROV.	TRACK

REV.	DESCRIPTION	DATE	APPROV.	TRACK

DB6/6H/9 Outline Dimensions - Flanged Housing (R100505)



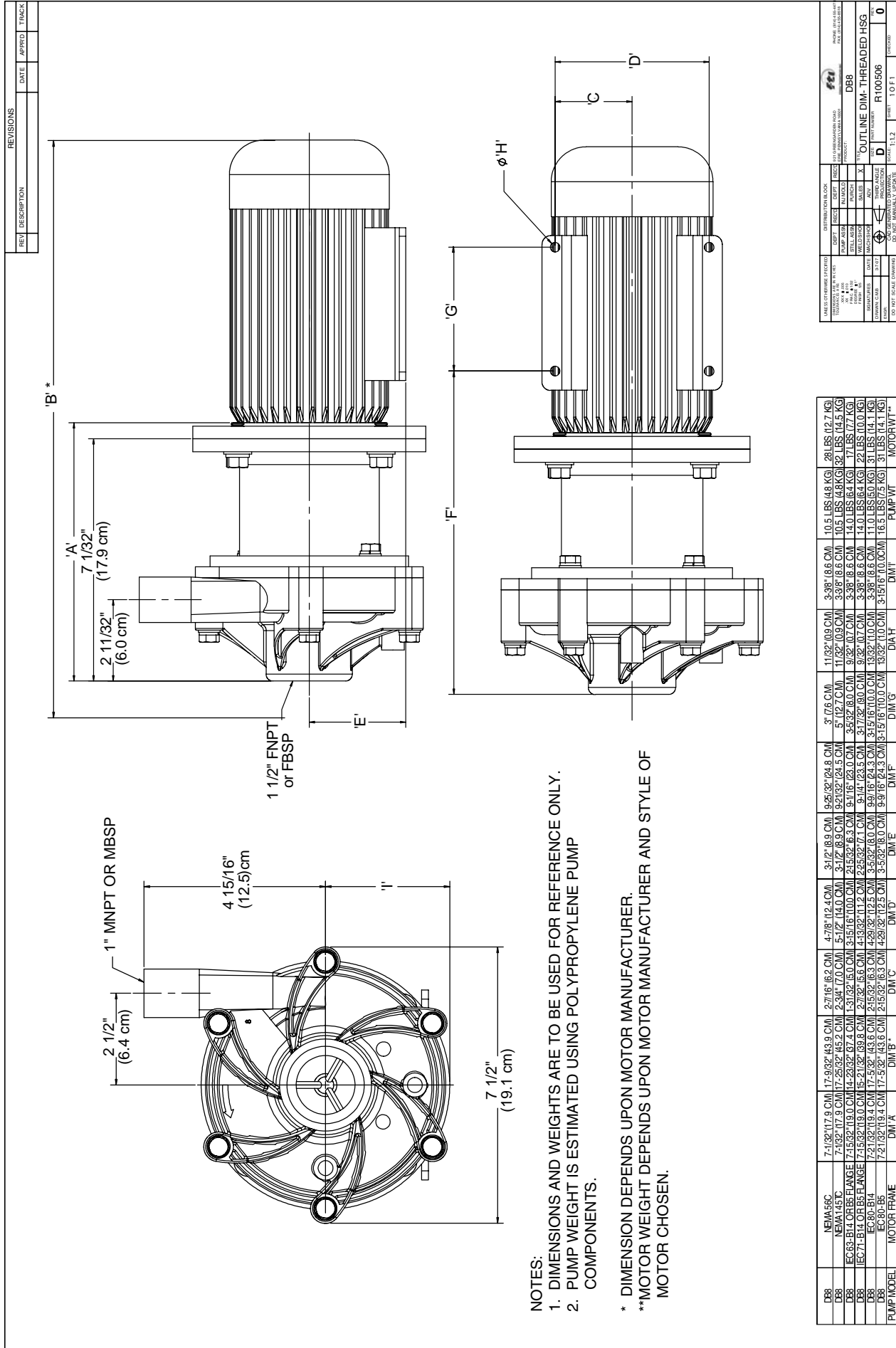
REV	DESCRIPTION	DATE	APPROV	TRACK

REVISED		DESIGN		CHECKED		DRAWN		DATE		BY		DATE		BY	

PUMP MODEL	MOTOR FRAME	DIM 'A'	DIM 'B'	DIM 'C'	DIM 'D'	DIM 'E'	DIM 'F'	DIM 'G'	DIM 'H'	PUMP WT	MOTOR WT **
DB6/6H9	NEMA 56C	8-9/16" (21.7 CM)	18-27/32" (47.8 CM)	2-7/16" (6.2 CM)	4-7/8" (12.4 CM)	3-1/2" (8.9 CM)	11-11/32" (28.7 CM)	3" (7.6 CM)	11/32" (0.9 CM)	10.5 LBS (4.8 KG)	28 LBS (12.7 KG)
DB6/6H9	NEMA 145TC	8-9/16" (21.7 CM)	19-11/32" (49.1 CM)	2-3/4" (7.0 CM)	5-1/2" (14.0 CM)	3-1/2" (8.9 CM)	11-7/32" (28.5 CM)	5" (12.7 CM)	11/32" (0.9 CM)	10.5 LBS (4.8 KG)	32 LBS (14.5 KG)
DB6/6H9	IEC 63- B14-OR-B5 FLANGE	9-21/32" (22.9 CM)	16-9/32" (41.3 CM)	1-31/32" (5.0 CM)	3-15/16" (10.0 CM)	2-15/32" (6.3 CM)	10-5/8" (26.9 CM)	3-5/32" (8.0 CM)	9/32" (0.7 CM)	14.0 LBS (6.4 KG)	17 LBS (7.7 KG)
DB6/6H9	IEC 71- B14-OR-B5 FLANGE	9-21/32" (22.9 CM)	17-7/32" (43.7 CM)	2-7/8" (6.6 CM)	4-13/32" (11.2 CM)	2-25/32" (7.1 CM)	10-13/16" (27.4 CM)	3-17/32" (8.0 CM)	9/32" (0.7 CM)	14.0 LBS (6.4 KG)	22 LBS (10.0 KG)

NOTES:
 1. DIMENSIONS AND WEIGHTS ARE TO BE USED FOR REFERENCE ONLY.
 2. PUMP WEIGHT IS ESTIMATED USING POLYPROPYLENE PUMP COMPONENTS.
 * DIMENSION DEPENDS UPON MOTOR MANUFACTURER.
 ** MOTOR WEIGHT DEPENDS UPON MOTOR MANUFACTURER AND STYLE OF MOTOR CHOSEN.

DB8 Outline Dimensions - Threaded Housing (R100506)



REV	DESCRIPTION	DATE	APPROV	TACK

NOTES:
 1. DIMENSIONS AND WEIGHTS ARE TO BE USED FOR REFERENCE ONLY.
 2. PUMP WEIGHT IS ESTIMATED USING POLYPROPYLENE PUMP COMPONENTS.

* DIMENSION DEPENDS UPON MOTOR MANUFACTURER.
 **MOTOR WEIGHT DEPENDS UPON MOTOR MANUFACTURER AND STYLE OF MOTOR CHOSEN.

DB8	NEWA58C	7-1/32" (17.9 CM)	17-9/32" (43.9 CM)	2-7/16" (6.2 CM)	4-7/8" (12.4 CM)	3-1/2" (8.9 CM)	9-5/32" (24.8 CM)	3-1/2" (8.9 CM)	11-3/32" (3.9 CM)	3-3/8" (8.6 CM)	10.5 LBS (4.8 KG)	28 LBS (12.7 KG)
DB8	NEWA451C	7-1/32" (17.9 CM)	17-25/32" (45.2 CM)	2-3/4" (7.0 CM)	5-1/2" (14.0 CM)	3-1/2" (8.9 CM)	9-2/32" (24.5 CM)	3-1/2" (8.9 CM)	11-3/32" (3.9 CM)	3-3/8" (8.6 CM)	10.5 LBS (4.8 KG)	32 LBS (14.5 KG)
DB8	EC-63-B14 OR B5 FLANGE	7-15/32" (19.0 CM)	14-23/32" (37.4 CM)	1-31/32" (5.0 CM)	3-15/16" (10.0 CM)	2-5/32" (6.3 CM)	9-1/16" (23.0 CM)	3-5/32" (6.0 CM)	9-3/32" (0.7 CM)	3-3/8" (8.6 CM)	14.0 LBS (6.4 KG)	17 LBS (7.7 KG)
DB8	EC-71-B14 OR B5 FLANGE	7-15/32" (19.0 CM)	15-21/32" (39.8 CM)	2-7/32" (5.6 CM)	4-13/32" (11.2 CM)	2-25/32" (7.1 CM)	9-1/4" (23.5 CM)	3-17/32" (8.0 CM)	9-3/32" (0.7 CM)	3-3/8" (8.6 CM)	14.0 LBS (6.4 KG)	22 LBS (10.0 KG)
DB8	EC-80-B14	7-21/32" (19.4 CM)	17-5/32" (43.6 CM)	2-15/32" (6.3 CM)	4-29/32" (12.5 CM)	3-5/32" (6.0 CM)	9-9/16" (24.3 CM)	3-15/16" (10.0 CM)	13-3/32" (1.0 CM)	3-3/8" (8.6 CM)	11.0 LBS (5.0 KG)	31 LBS (14.1 KG)
DB8	EC-80-B5	7-21/32" (19.4 CM)	17-5/32" (43.6 CM)	2-15/32" (6.3 CM)	4-29/32" (12.5 CM)	3-5/32" (6.0 CM)	9-9/16" (24.3 CM)	3-15/16" (10.0 CM)	13-3/32" (1.0 CM)	3-5/16" (10.0 CM)	16.5 LBS (7.5 KG)	31 LBS (14.1 KG)
PUMP MODEL	MOTOR FRAME	DM1 A	DM1 B *	DM1 C	DM1 D	DM1 E	DM1 F	DM1 G	DM1 H	DM1 I	PUMP WT	MOTOR WT **

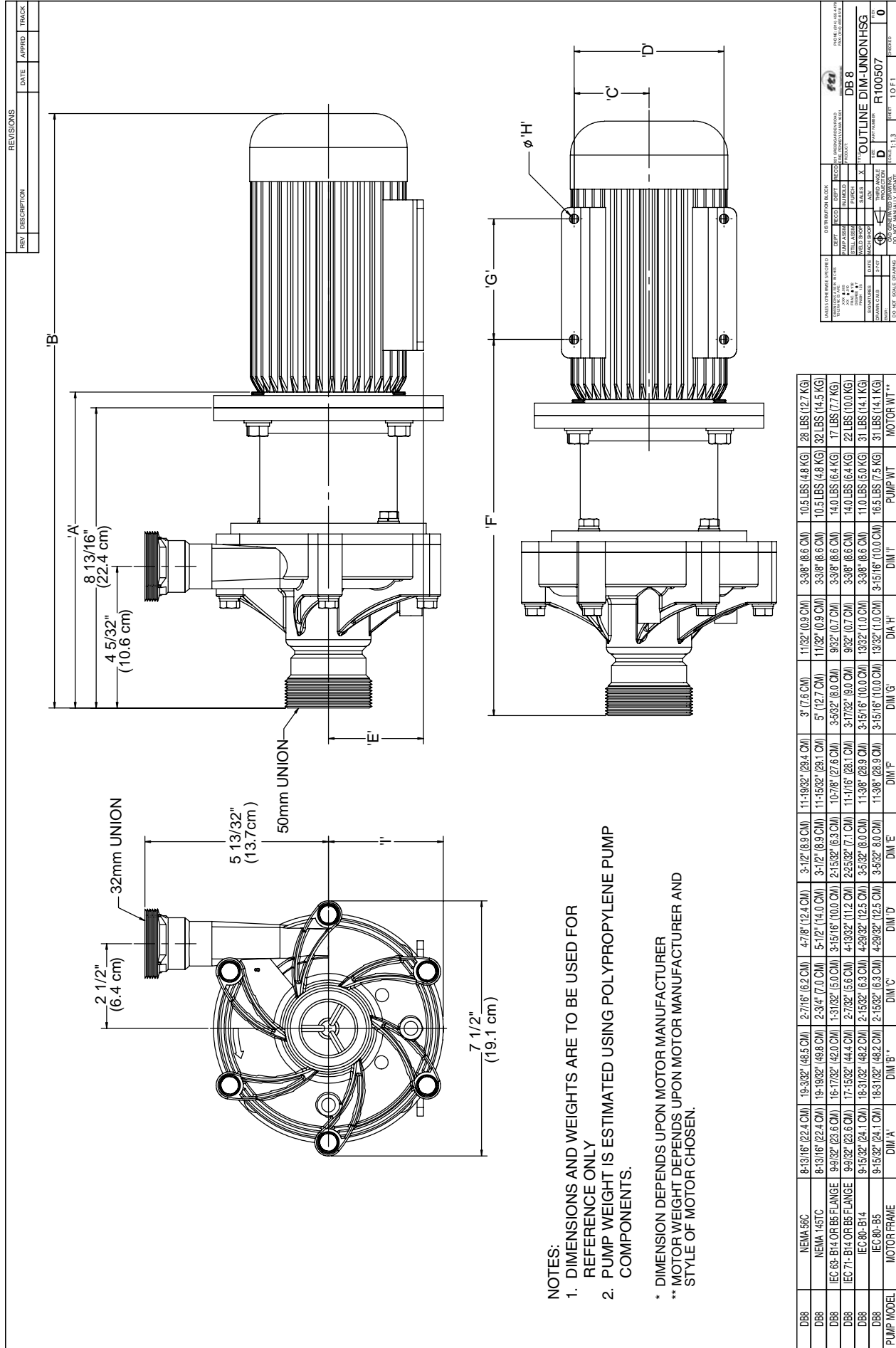
REV	DESCRIPTION	DATE	APPROV	TACK

REV	DESCRIPTION	DATE	APPROV	TACK

REV	DESCRIPTION	DATE	APPROV	TACK

REV	DESCRIPTION	DATE	APPROV	TACK

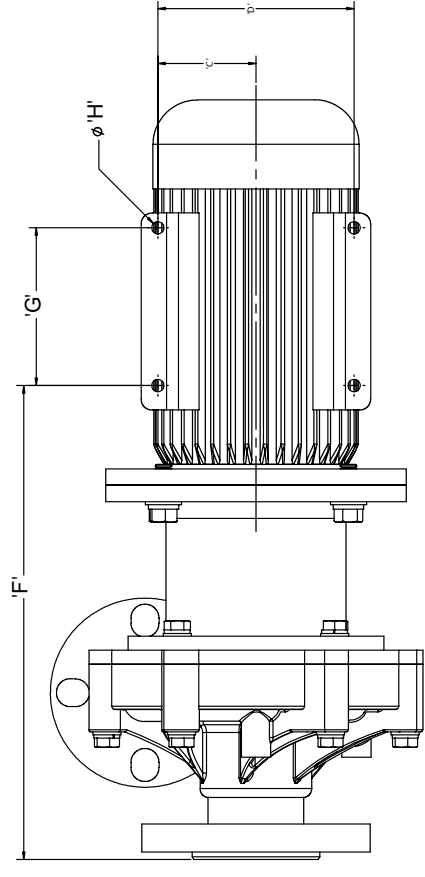
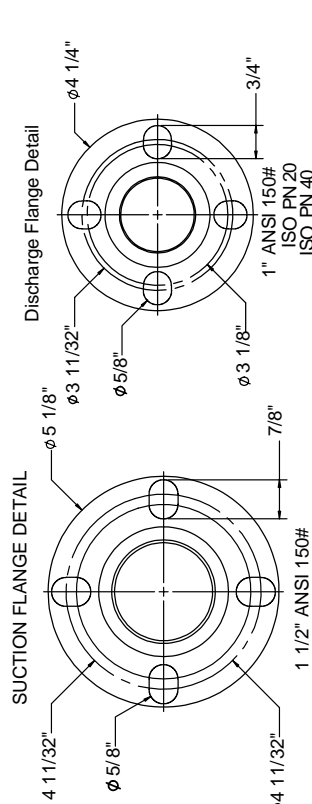
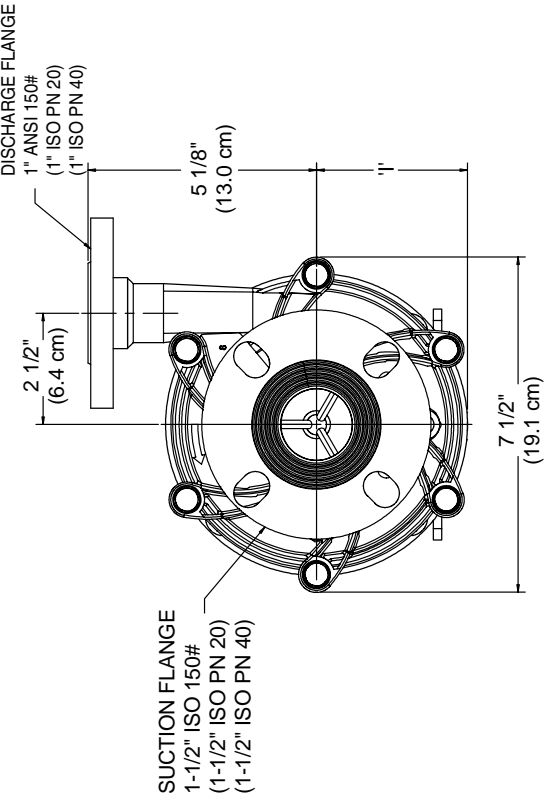
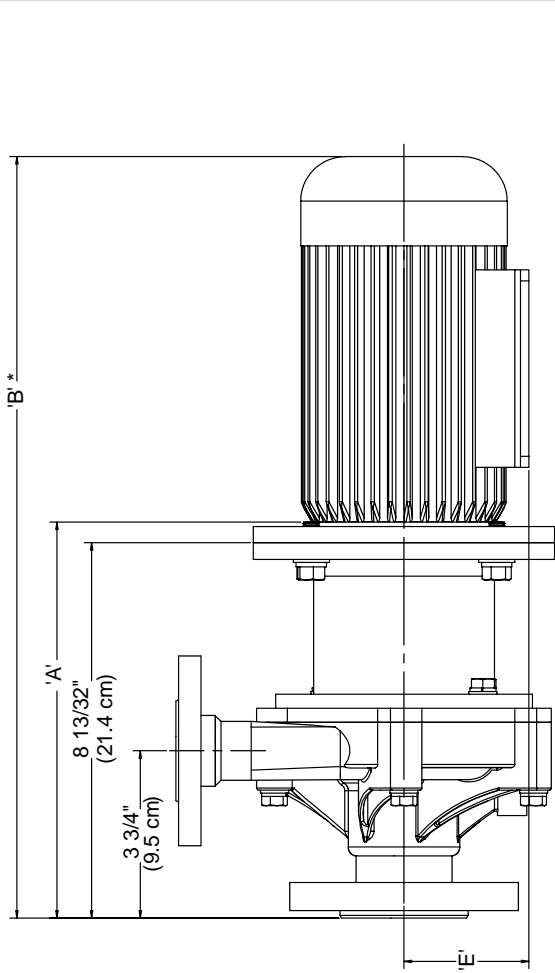
DB8 Outline Dimensions - Union Housing (R100507)



NOTES:
 1. DIMENSIONS AND WEIGHTS ARE TO BE USED FOR REFERENCE ONLY
 2. PUMP WEIGHT IS ESTIMATED USING POLYPROPYLENE PUMP COMPONENTS.
 * DIMENSION DEPENDS UPON MOTOR MANUFACTURER
 ** MOTOR WEIGHT DEPENDS UPON MOTOR MANUFACTURER AND STYLE OF MOTOR CHOSEN.

DB8 Outline Dimensions - Flange Housing (R100508)

REV	DESCRIPTION	DATE	APPRD	TRKCD



NOTES:
 1. DIMENSIONS AND WEIGHTS ARE FOR REFERENCE ONLY.
 2. PUMP WEIGHT IS ESTIMATED USING POLYPROPYLENE COMPONENTS.
 * DIMENSION DEPENDS UPON MOTOR MANUFACTURER.
 **MOTOR WEIGHT DEPENDS UPON MOTOR MANUFACTURER AND STYLE OF MOTOR CHOSEN.

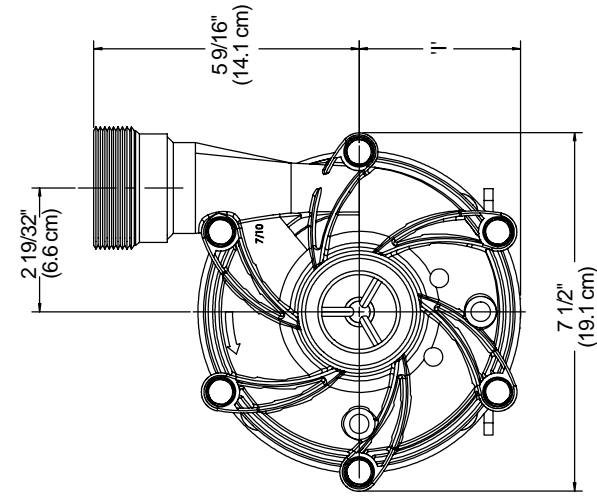
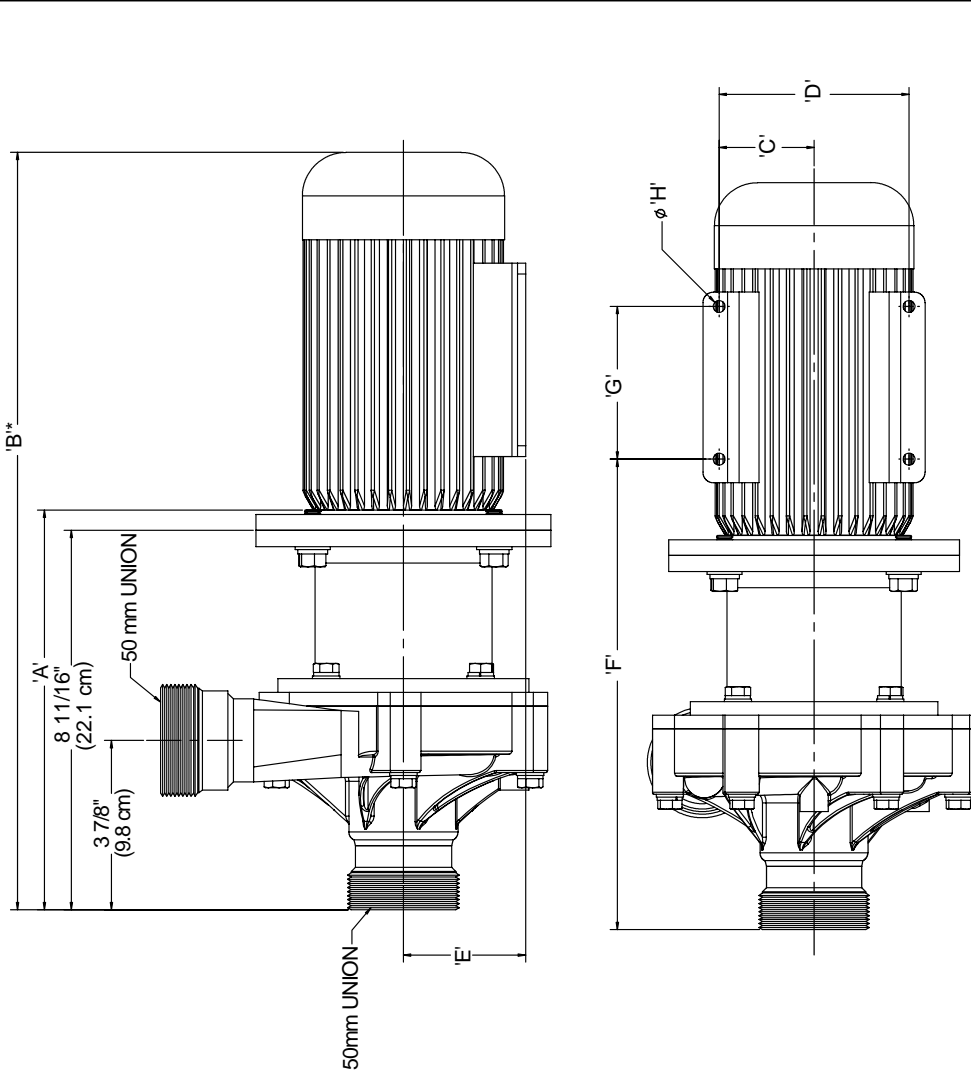
REV	DESCRIPTION	DATE	APPRD	TRKCD

DB8	NEMA 56C	8.13/32" (21.4 CM)	18.11/16" (47.5 CM)	2.71/6" (6.2 CM)	4.7/8" (12.4 CM)	3.1/2" (8.9 CM)	11.3/16" (28.4 CM)	3.3/8" (8.6 CM)	10.5 LBS (4.8 KG)	28 LBS (12.7 KG)
DB8	NEMA 145TC	8.13/32" (21.4 CM)	19.9/16" (48.7 CM)	2.3/4" (7.0 CM)	5.1/2" (14.0 CM)	3.1/2" (8.9 CM)	11.1/16" (28.1 CM)	3.3/8" (8.6 CM)	10.5 LBS (4.8 KG)	32 LBS (14.5 KG)
DB8	IEC 63 B14/05 FLANGE	8.7/8" (22.5 CM)	16.7/16" (41.0 CM)	1.31/32" (6.0 CM)	8.15/16" (10.0 CM)	2.15/32" (6.3 CM)	10.15/32" (26.6 CM)	3.5/32" (8.0 CM)	14.0 LBS (6.4 KG)	17 LBS (7.7 KG)
DB8	IEC 71 B14/05 FLANGE	8.7/8" (22.5 CM)	17.7/16" (43.3 CM)	2.7/32" (5.6 CM)	4.13/32" (11.2 CM)	2.5/32" (7.1 CM)	10.7/32" (27.1 CM)	3.17/32" (9.0 CM)	14.0 LBS (6.4 KG)	22 LBS (10.0 KG)
DB8	IEC 80 B14	9.1/16" (23.0 CM)	18.9/16" (47.1 CM)	2.15/32" (6.3 CM)	4.29/32" (12.5 CM)	3.5/32" (8.0 CM)	10.31/32" (27.9 CM)	3.3/8" (8.6 CM)	11.0 LBS (5.0 KG)	31 LBS (14.1 KG)
DB8	IEC 80 B5	9.1/16" (23.0 CM)	18.9/16" (47.1 CM)	2.15/32" (6.3 CM)	4.29/32" (12.5 CM)	3.5/32" (8.0 CM)	10.31/32" (27.9 CM)	3.15/16" (10.0 CM)	16.5 LBS (7.5 KG)	31 LBS (14.1 KG)
PUMP MODEL	MOTOR FRAME	DIM. A'	DIM. B*	DIM. C'	DIM. D	DIM. E'	DIM. F'	DIM. G'	DIM. H'	MOTOR WT**

DB8	CUTLINE DIM-FLANGED HSG	R100508

DB7/10 Outline Dimensions - Union Housing (R100510)

REV	DESCRIPTION	DATE	APPRD	TRKCK

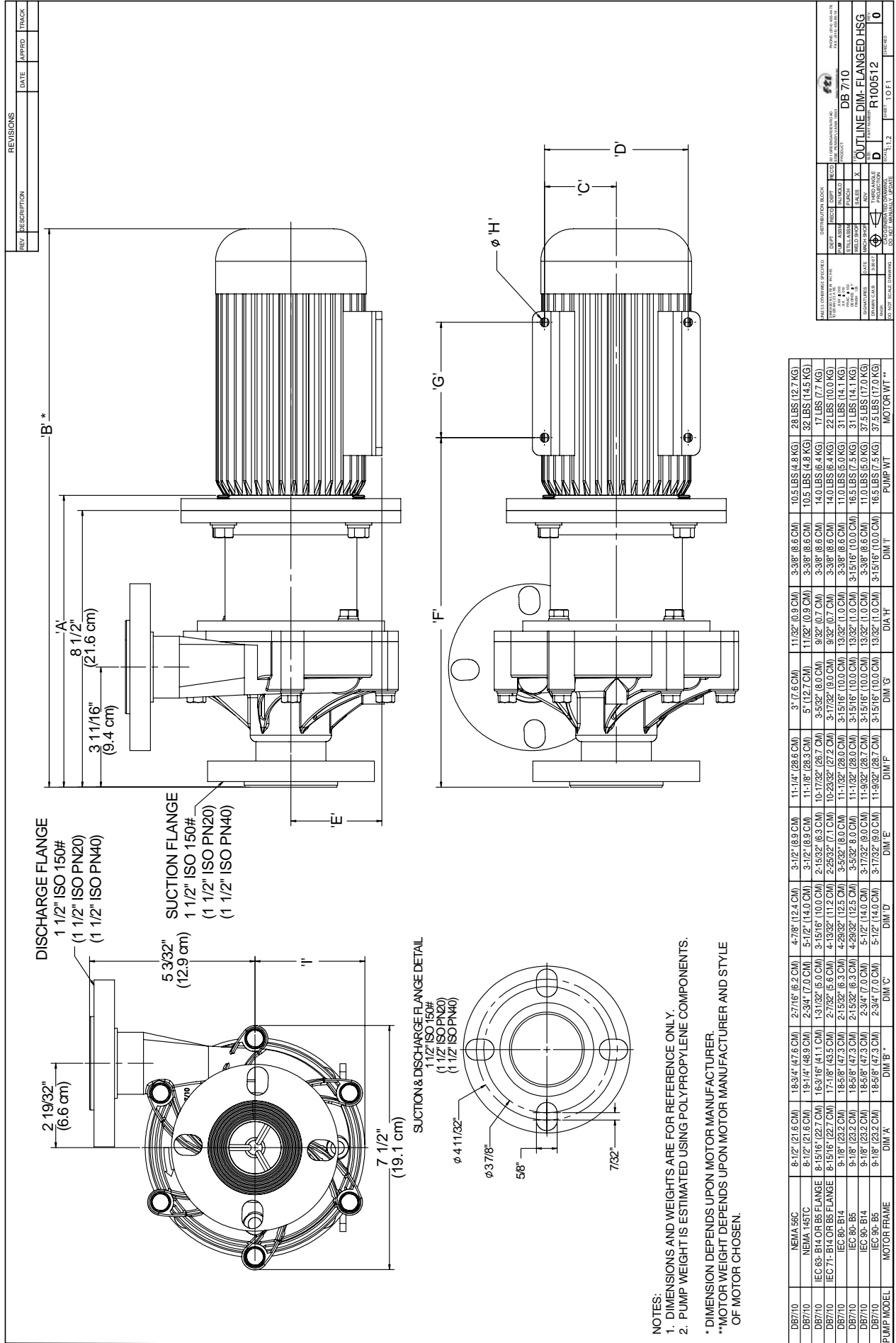


NOTES:
 1. DIMENSIONS AND WEIGHTS ARE FOR REFERENCE ONLY.
 2. PUMP WEIGHT IS ESTIMATED USING POLYPROPYLENE COMPONENTS.
 * DIMENSION DEPENDS UPON MOTOR MANUFACTURER.
 **MOTOR WEIGHT DEPENDS UPON MOTOR MANUFACTURER AND STYLE OF MOTOR CHOSEN.

DB7/10	NEMA 56C	8-11/16" (22.1 CM)	18-15/16" (48.1 CM)	2-7/16" (6.2 CM)	4-7/8" (12.4 CM)	3-1/2" (8.9 CM)	11-7/16" (29.1 CM)	3" (7.6 CM)	11/32" (0.9 CM)	3-3/8" (8.6 CM)	10.5 LBS (4.8 KG)	28 LBS (12.7 KG)
DB7/10	NEMA 145TC	8-11/16" (22.1 CM)	19-7/16" (49.4 CM)	2-3/4" (7.0 CM)	5-1/2" (14.0 CM)	3-1/2" (8.9 CM)	11-5/16" (28.7 CM)	5" (12.7 CM)	11/32" (0.9 CM)	3-3/8" (8.6 CM)	10.5 LBS (4.8 KG)	32 LBS (14.5 KG)
DB7/10	IEC 63-B14 OR B5 FLANGE	9-1/8" (23.2 CM)	16-3/8" (41.6 CM)	1-3/16" (5.0 CM)	3-15/16" (10.0 CM)	2-15/32" (6.3 CM)	10-23/32" (27.2 CM)	3-3/32" (6.0 CM)	9/32" (0.7 CM)	3-3/8" (8.6 CM)	14.0 LBS (6.4 KG)	77 LBS (34.9 KG)
DB7/10	IEC 71-B14 OR B5 FLANGE	9-1/8" (23.2 CM)	17-5/32" (44.0 CM)	2-7/32" (5.6 CM)	4-19/32" (11.2 CM)	2-25/32" (7.1 CM)	10-29/32" (27.7 CM)	3-17/32" (6.0 CM)	9/32" (0.7 CM)	3-3/8" (8.6 CM)	14.0 LBS (6.4 KG)	22 LBS (10.0 KG)
DB7/10	IEC 80-B14	9-5/16" (23.7 CM)	18-13/16" (47.8 CM)	2-15/32" (6.3 CM)	4-29/32" (12.5 CM)	3-5/32" (8.0 CM)	11-7/32" (28.5 CM)	3-15/16" (10.0 CM)	13/32" (1.0 CM)	3-3/8" (8.6 CM)	11.0 LBS (5.0 KG)	31 LBS (14.1 KG)
DB7/10	IEC 80-B5	9-5/16" (23.7 CM)	18-13/16" (47.8 CM)	2-15/32" (6.3 CM)	4-29/32" (12.5 CM)	3-5/32" (8.0 CM)	11-7/32" (28.5 CM)	3-15/16" (10.0 CM)	13/32" (1.0 CM)	3-3/8" (8.6 CM)	11.0 LBS (5.0 KG)	31 LBS (14.1 KG)
DB7/10	IEC 90-B14	9-5/16" (23.7 CM)	18-13/16" (47.8 CM)	2-3/4" (7.0 CM)	5-1/2" (14.0 CM)	3-17/32" (9.0 CM)	11-5/32" (29.1 CM)	3-15/16" (10.0 CM)	13/32" (1.0 CM)	3-3/8" (8.6 CM)	11.0 LBS (5.0 KG)	37.5 LBS (17.0 KG)
DB7/10	IEC 90-B5	9-5/16" (23.7 CM)	18-13/16" (47.8 CM)	2-3/4" (7.0 CM)	5-1/2" (14.0 CM)	3-17/32" (9.0 CM)	11-5/32" (29.1 CM)	3-15/16" (10.0 CM)	13/32" (1.0 CM)	3-3/8" (8.6 CM)	11.0 LBS (5.0 KG)	37.5 LBS (17.0 KG)
PUMP MODEL	MOTOR FRAME	DIM 'A'	DIM 'B'	DIM 'C'	DIM 'D'	DIM 'E'	DIM 'F'	DIM 'G'	DIM 'H'	DIM 'I'	PUMP WT	MOTOR WT **

DB 7/10
OUTLINE DIM- UNION HSG
R100510
 SHEET 1 OF 1

DB7/10 Outline Dimensions - Flange Housing (R100512)



NOTES:
 1. DIMENSIONS AND WEIGHTS ARE FOR REFERENCE ONLY.
 2. PUMP WEIGHT IS ESTIMATED USING POLYPROPYLENE COMPONENTS.
 * DIMENSION DEPENDS UPON MOTOR MANUFACTURER.
 **MOTOR WEIGHT DEPENDS UPON MOTOR MANUFACTURER AND STYLE OF MOTOR CHOSEN.

DB7/10	NEMA 55C	8-1/2" (21.6 CM)	18-3/4" (47.6 CM)	2-7/16" (6.2 CM)	4-7/8" (12.4 CM)	3-1/2" (8.9 CM)	11-1/4" (28.6 CM)	3" (7.6 CM)	11/32" (0.9 CM)	3-3/8" (8.6 CM)	10.5 LBS (4.8 KG)	28 LBS (12.7 KG)
DB7/10	NEMA 145TC	8-1/2" (21.6 CM)	19-1/4" (48.9 CM)	2-3/4" (7.0 CM)	5-1/2" (14.0 CM)	3-1/2" (8.9 CM)	11-1/8" (28.3 CM)	5" (12.7 CM)	11/32" (0.9 CM)	3-3/8" (8.6 CM)	10.5 LBS (4.8 KG)	32 LBS (14.5 KG)
DB7/10	IEC 65-B14 OR B5 FLANGE	8-15/16" (22.7 CM)	16-3/16" (41.1 CM)	1-3/16" (5.0 CM)	10-17/32" (26.7 CM)	3-5/32" (8.0 CM)	10-17/32" (26.7 CM)	3-5/32" (8.0 CM)	9/32" (0.7 CM)	3-3/8" (8.6 CM)	14.0 LBS (6.4 KG)	37 LBS (17.1 KG)
DB7/10	IEC 71-B14 OR B5 FLANGE	8-15/16" (22.7 CM)	17-1/8" (43.5 CM)	2-7/32" (5.6 CM)	4-13/32" (11.2 CM)	3-17/32" (9.0 CM)	10-23/32" (32.2 CM)	3-17/32" (9.0 CM)	9/32" (0.7 CM)	3-3/8" (8.6 CM)	14.0 LBS (6.4 KG)	37 LBS (17.1 KG)
DB7/10	IEC 80-B14	9-1/8" (23.2 CM)	18-5/8" (47.3 CM)	2-15/32" (6.3 CM)	4-29/32" (13.5 CM)	3-5/32" (8.0 CM)	11-1/32" (28.0 CM)	3-15/16" (10.0 CM)	13/32" (1.0 CM)	3-3/8" (8.6 CM)	11.0 LBS (5.0 KG)	31 LBS (14.1 KG)
DB7/10	IEC 90-B5	9-1/8" (23.2 CM)	18-5/8" (47.3 CM)	2-15/32" (6.3 CM)	4-29/32" (13.5 CM)	3-5/32" (8.0 CM)	11-1/32" (28.0 CM)	3-15/16" (10.0 CM)	13/32" (1.0 CM)	3-15/16" (10.0 CM)	16.5 LBS (7.5 KG)	31 LBS (14.1 KG)
DB7/10	IEC 90-B4	9-1/8" (23.2 CM)	18-5/8" (47.3 CM)	2-3/4" (7.0 CM)	5-1/2" (14.0 CM)	3-17/32" (9.0 CM)	11-29/32" (28.7 CM)	3-15/16" (10.0 CM)	13/32" (1.0 CM)	3-15/16" (10.0 CM)	11.0 LBS (5.0 KG)	37 LBS (17.1 KG)
DB7/10	IEC 90-B5	9-1/8" (23.2 CM)	18-5/8" (47.3 CM)	2-3/4" (7.0 CM)	5-1/2" (14.0 CM)	3-17/32" (9.0 CM)	11-29/32" (28.7 CM)	3-15/16" (10.0 CM)	13/32" (1.0 CM)	3-15/16" (10.0 CM)	16.5 LBS (7.5 KG)	37 LBS (17.1 KG)
PUMP MODEL	MOTOR FRAME	DIM A	DIM B	DIM C	DIM D	DIM E	DIM F	DIM G	DIM H	DIM I	PUMP WT	MOTOR WT *

REV	DESCRIPTION	DATE	APPROV	TRACK

DESIGNER	DATE	SCALE	PROJECT

MANUFACTURER	MODEL	SIZE	REV

DATE	SCALE	PROJECT	REV