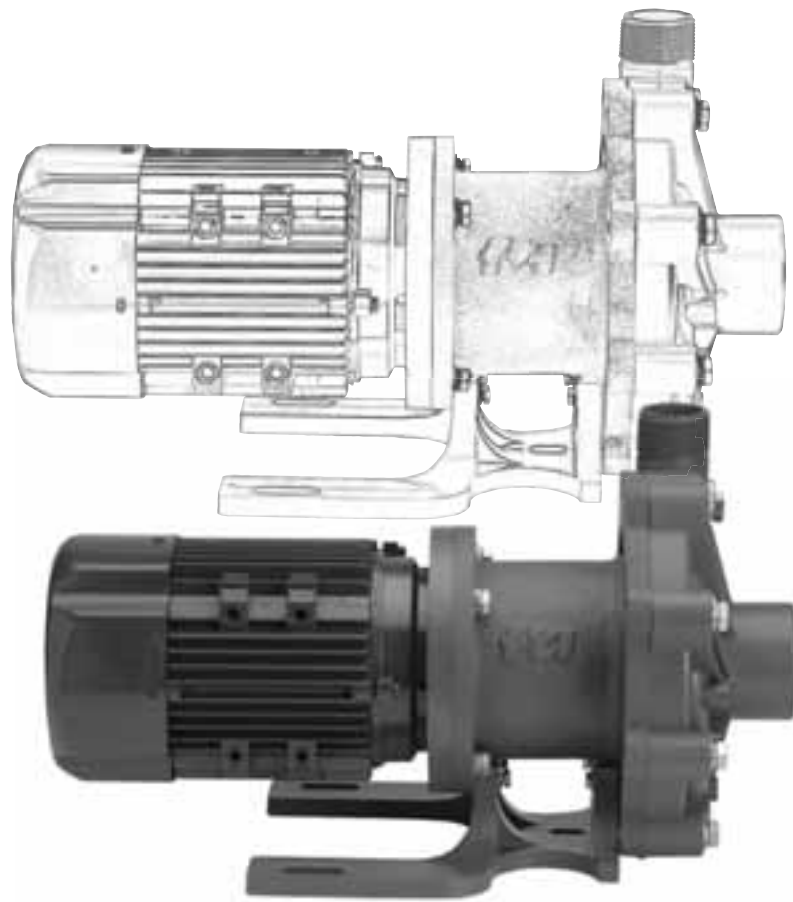


DB11-22 SERIES OUTLINE DIMENSIONS

Literature ID No. FT08-1025



FINISH THOMPSON INC.

921 Greengarden Road • Erie, PA 16501-1591 U.S.A.
Ph 814-455-4478 • Fax 814-455-8518

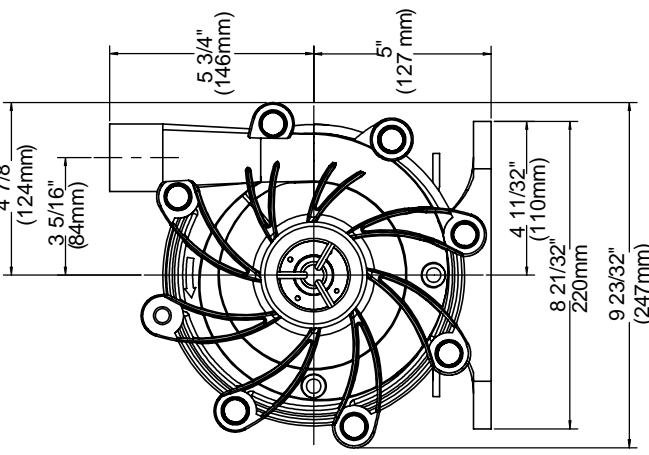
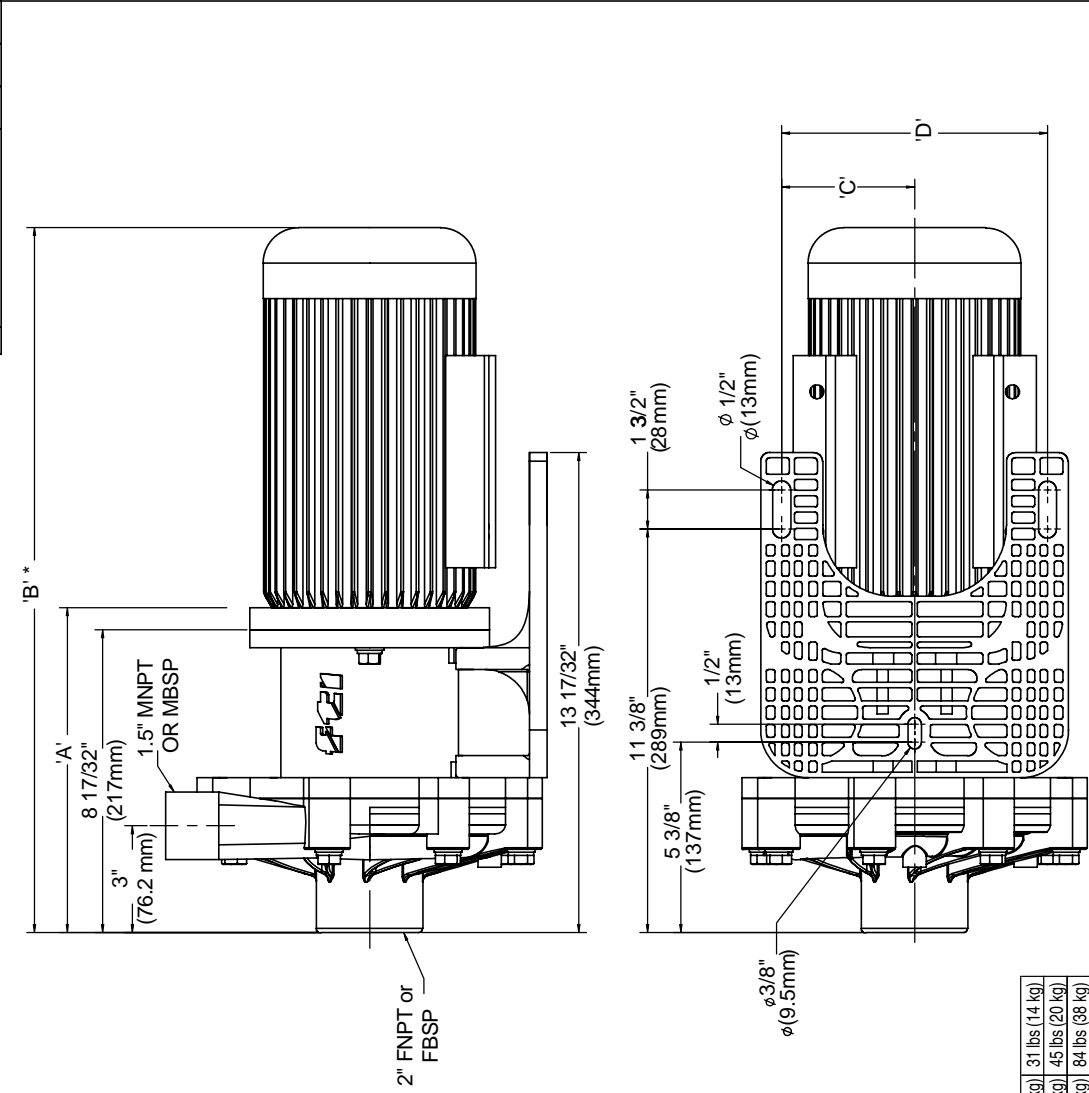
Email fti@finishthompson.com • www.finishthompson.com

TABLE OF CONTENTS

Drawing	Page No.
DB11/15 Outline Dimensions	
Threaded.....	3
Union.....	4
Flanged.....	5
DB11/15 Outline Dimensions 80/90 FR B5	
Threaded.....	6
Union.....	7
Flanged.....	8
DB11/15 Outline Dimensions 100/112 FR B5	
Threaded.....	9
Union.....	10
Flanged.....	11
DB22 Outline Dimensions	
Threaded.....	12
Union.....	13
Flanged.....	14

DB11/15 OUTLINE DIMENSIONS - THREADED HOUSING (R100422)

REVISIONS	
REV	DESCRIPTION



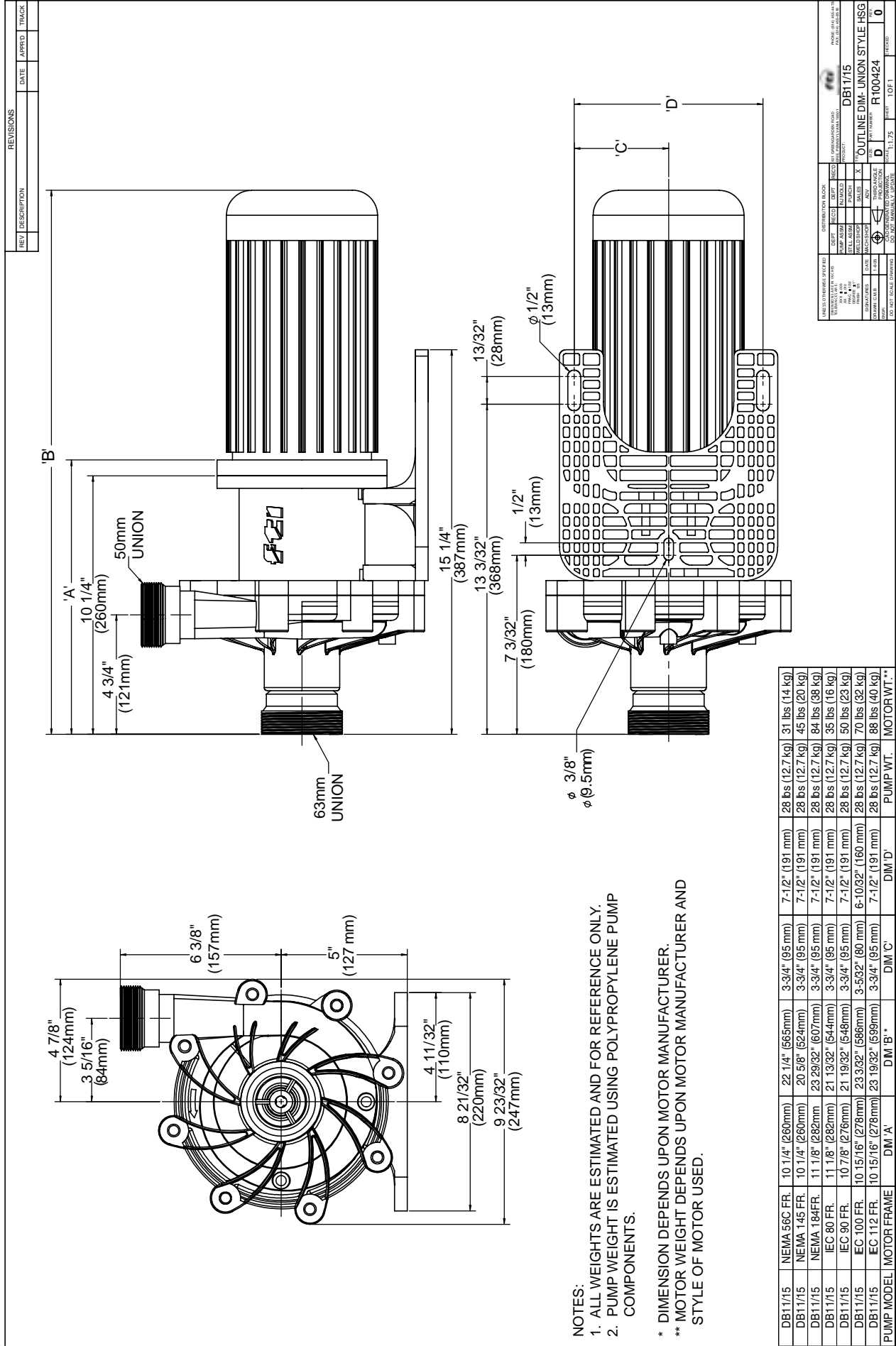
- NOTES:
- ALL WEIGHTS ARE ESTIMATED AND FOR REFERENCE ONLY.
 - PUMP WEIGHT IS ESTIMATED USING POLYPROPYLENE PUMP COMPONENTS.
- * DIMENSION DEPENDS UPON MOTOR MANUFACTURER AND STYLE OF MOTOR USED.
- ** MOTOR WEIGHT DEPENDS UPON MOTOR MANUFACTURER AND STYLE OF MOTOR USED.

PUMP MODEL	MOTOR FRAME	DM 'A'	DM 'B'*	DM 'C'	DM 'D'	PUMP WT.	MOTOR WT.**
DB11/15	NEMA 56C FR.	8 17/32" (217mm)	20 17/32" (521mm)	3-3/4" (95 mm)	7-1/2" (191 mm)	27 lbs (12.2 kg)	31 lbs (14 kg)
DB11/15	NEMA 145 FR.	8 17/32" (217mm)	18 29/32" (480mm)	3-3/4" (95 mm)	7-1/2" (191 mm)	27 lbs (12.2 kg)	45 lbs (20 kg)
DB11/15	NEMA 184FR.	9 13/32" (239 mm)	22 6/32" (564mm)	3-3/4" (95 mm)	7-1/2" (191 mm)	27 lbs (12.2 kg)	84 lbs (38 kg)
DB11/15	IEC 80 FR.	9 5/32" (239mm)	19 11/16" (500mm)	3-3/4" (95 mm)	7-1/2" (191 mm)	27 lbs (12.2 kg)	35 lbs (16 kg)
DB11/15	IEC 90 FR.	9 5/32" (239mm)	19 7/8" (505mm)	3-3/4" (95 mm)	7-1/2" (191 mm)	27 lbs (12.2 kg)	50 lbs (23 kg)
DB11/15	EC 100 FR.	9 7/32" (234mm)	21 3/8" (543mm)	3-5/32" (80 mm)	6-10/32" (160 mm)	27 lbs (12.2 kg)	70 lbs (32 kg)
DB11/15	EC 112 FR.	9 7/32" (234mm)	21 7/8" (556mm)	3-3/4" (95 mm)	7-1/2" (191 mm)	27 lbs (12.2 kg)	88 lbs (40 kg)

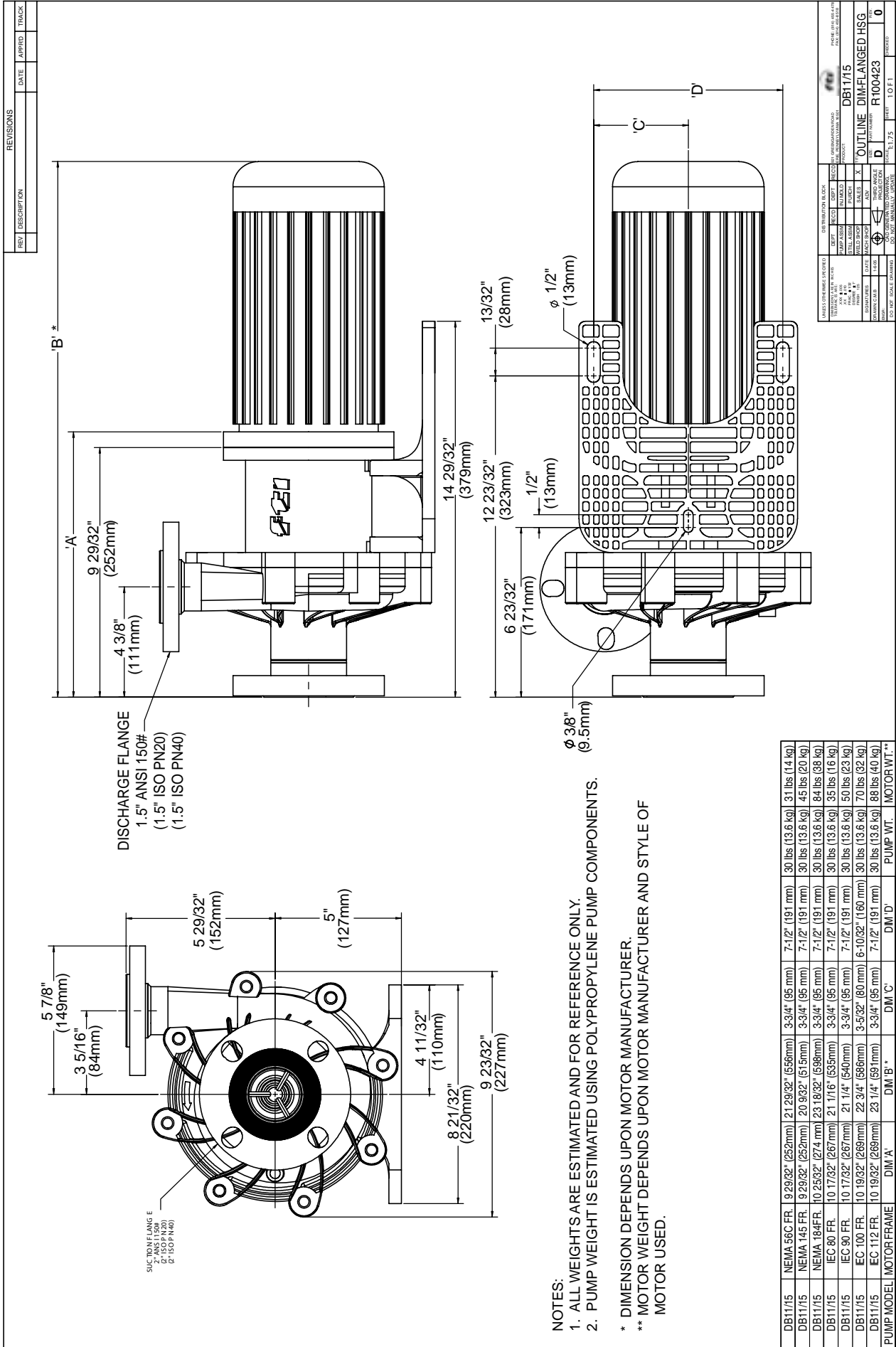
DIFFERENTIAL BLOCK	
TYPE	DESCRIPTION

DRAWING INFORMATION	
PROJECT	DESCRIPTION
DB11/15	OUTLINE DIMENSIONAL
R100422	

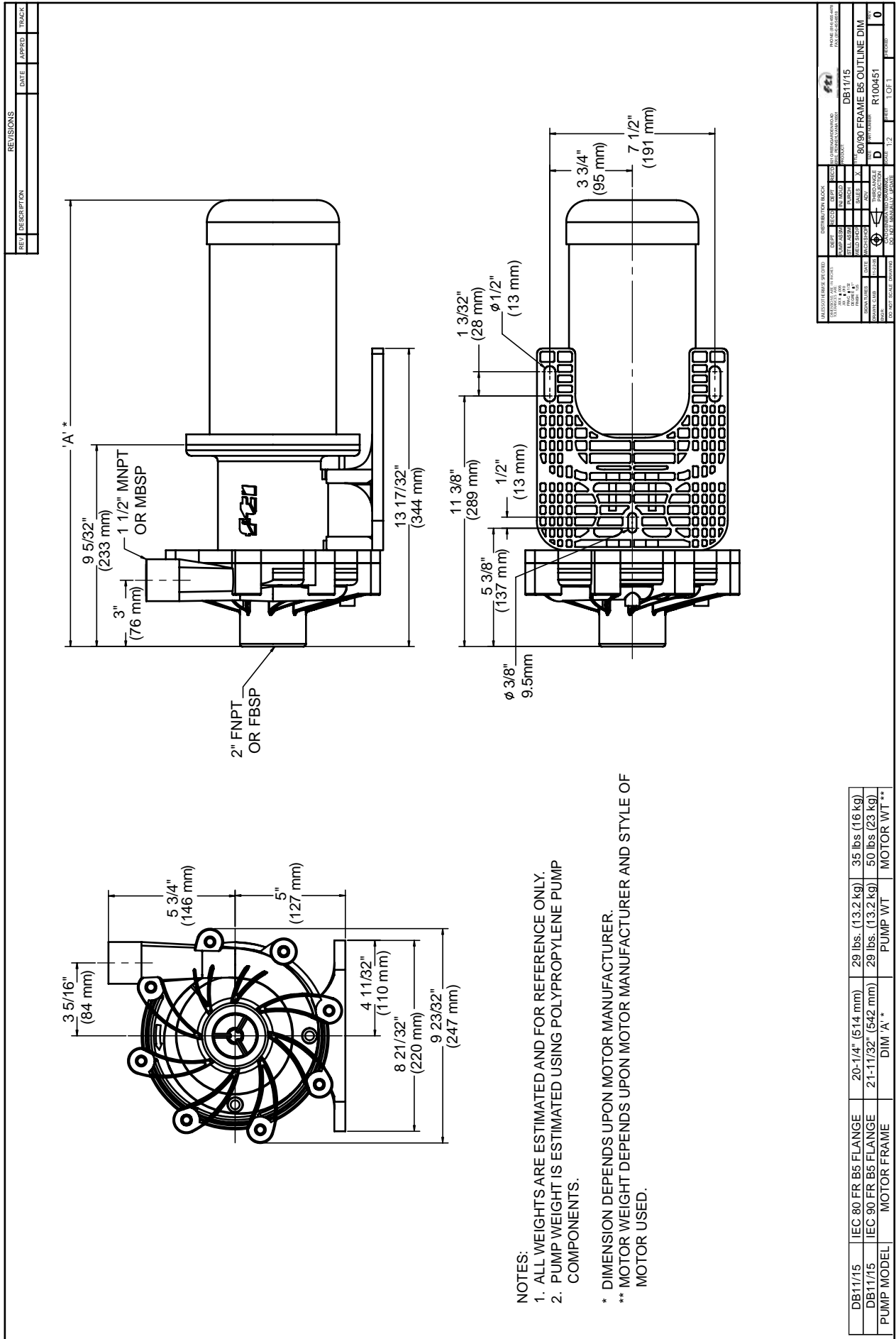
DB11/15 OUTLINE DIMENSIONS - UNION HOUSING (R100424)



DB11/15 OUTLINE DIMENSIONS - FLANGED HOUSING (R100423)



DB11/15 OUTLINE DIMENSIONS - THREADED HSG - 80-90 FR B5 (R100451)



NOTES:

1. ALL WEIGHTS ARE ESTIMATED AND FOR REFERENCE ONLY.
 2. PUMP WEIGHT IS ESTIMATED USING POLYPROPYLENE PUMP COMPONENTS.
- * DIMENSION DEPENDS UPON MOTOR MANUFACTURER.
 ** MOTOR WEIGHT DEPENDS UPON MOTOR MANUFACTURER AND STYLE OF MOTOR USED.

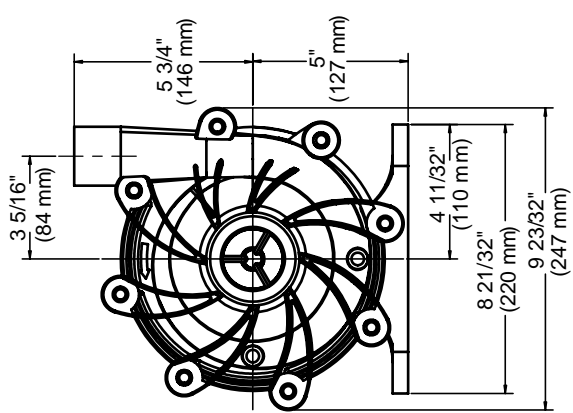
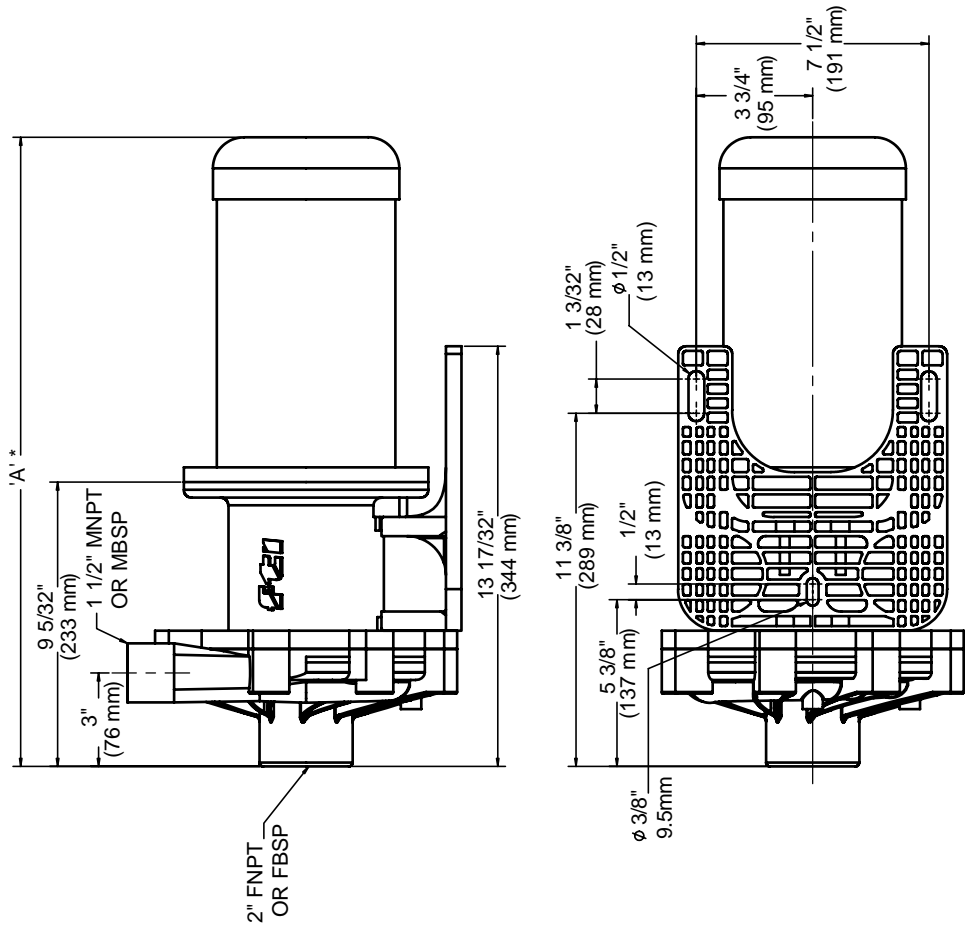
REVISIONS	
REV	DESCRIPTION
DATE	APPROV
TRACK	

DESIGNATION BLOCK	
ITEM NO.	DESCRIPTION
1	DB11/15
2	80/90 FRAME B5 OUTLINE DIM
3	R100451
4	REVISED
5	DATE
6	BY
7	CHECKED
8	APPROVED
9	DATE
10	BY
11	CHECKED
12	APPROVED
13	DATE
14	BY
15	CHECKED
16	APPROVED
17	DATE
18	BY
19	CHECKED
20	APPROVED
21	DATE
22	BY
23	CHECKED
24	APPROVED
25	DATE
26	BY
27	CHECKED
28	APPROVED
29	DATE
30	BY
31	CHECKED
32	APPROVED
33	DATE
34	BY
35	CHECKED
36	APPROVED
37	DATE
38	BY
39	CHECKED
40	APPROVED
41	DATE
42	BY
43	CHECKED
44	APPROVED
45	DATE
46	BY
47	CHECKED
48	APPROVED
49	DATE
50	BY
51	CHECKED
52	APPROVED
53	DATE
54	BY
55	CHECKED
56	APPROVED
57	DATE
58	BY
59	CHECKED
60	APPROVED
61	DATE
62	BY
63	CHECKED
64	APPROVED
65	DATE
66	BY
67	CHECKED
68	APPROVED
69	DATE
70	BY
71	CHECKED
72	APPROVED
73	DATE
74	BY
75	CHECKED
76	APPROVED
77	DATE
78	BY
79	CHECKED
80	APPROVED
81	DATE
82	BY
83	CHECKED
84	APPROVED
85	DATE
86	BY
87	CHECKED
88	APPROVED
89	DATE
90	BY
91	CHECKED
92	APPROVED
93	DATE
94	BY
95	CHECKED
96	APPROVED
97	DATE
98	BY
99	CHECKED
100	APPROVED

DB11/15	IEC 80 FR B5 FLANGE	20-1/4" (514 mm)	29 lbs. (13.2 kg)	35 lbs (16 kg)
DB11/15	IEC 90 FR B5 FLANGE	21-11/32" (542 mm)	29 lbs. (13.2 kg)	50 lbs (23 kg)
PUMP MODEL	MOTOR FRAME	DIM 'A'	PUMP WT	MOTOR WT **

DB11/15 OUTLINE DIMENSIONS - UNION HSG - 80-90 FR B5 (R100452)

REVISIONS		DATE	APPROV	TRACK
REV	DESCRIPTION			



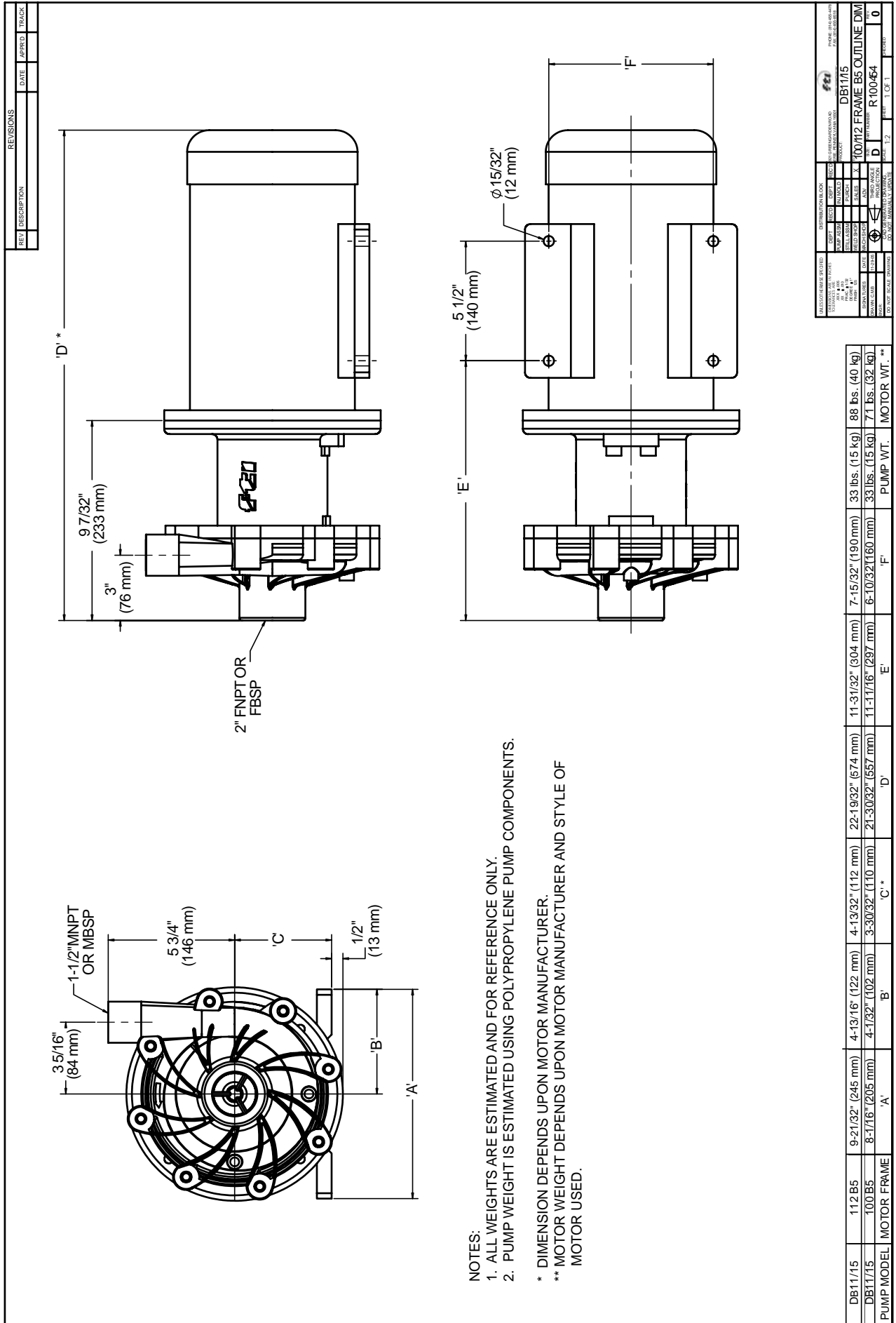
NOTES:
 1. ALL WEIGHTS ARE ESTIMATED AND FOR REFERENCE ONLY.
 2. PUMP WEIGHT IS ESTIMATED USING POLYPROPYLENE PUMP COMPONENTS.
 * DIMENSION DEPENDS UPON MOTOR MANUFACTURER.
 ** MOTOR WEIGHT DEPENDS UPON MOTOR MANUFACTURER AND STYLE OF MOTOR USED.

DESIGNATION		REVISIONS		DATE		APPROV		TRACK	
REV	DESCRIPTION								

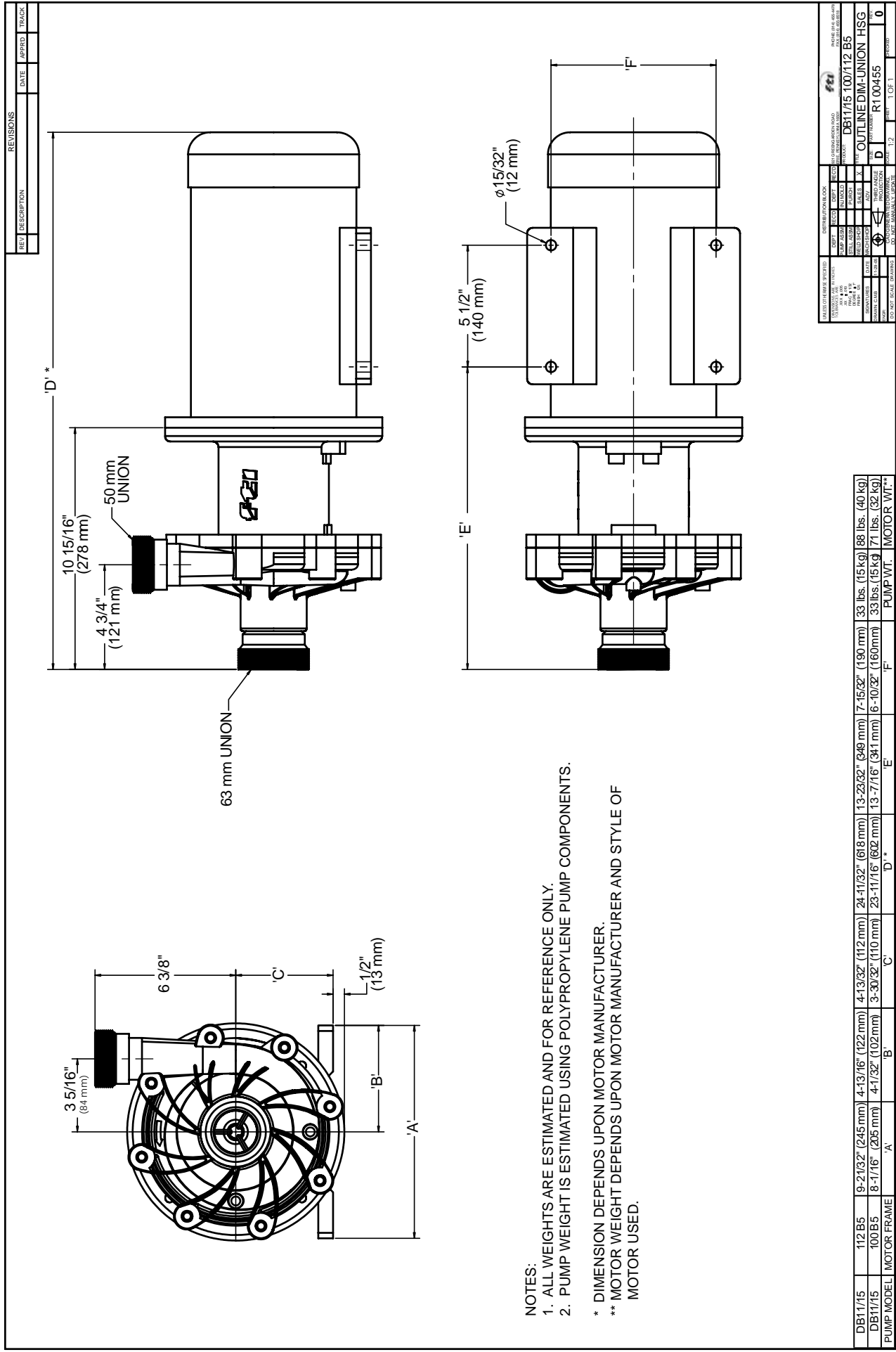
DESIGNATION	REV	DESCRIPTION	DATE	APPROV	TRACK
DB11/15		80/90 FRAME B5 OUTLINE DIM			

DB11/15	IEC 80 FR B5 FLANGE	20-1/4" (514 mm)	29 lbs. (13.2 kg)	35 lbs (16 kg)
DB11/15	IEC 90 FR B5 FLANGE	21-11/32" (542 mm)	29 lbs. (13.2 kg)	50 lbs (23 kg)
PUMP MODEL	MOTOR FRAME	DIM 'A' *	PUMP WT	MOTOR WT **

DB11/15 OUTLINE DIMENSIONS - THREADED HSG - 100-112 FR B5 (R100454)



DB11/15 OUTLINE DIMENSIONS - UNION HSG - 100-112 FR B5 (R100455)

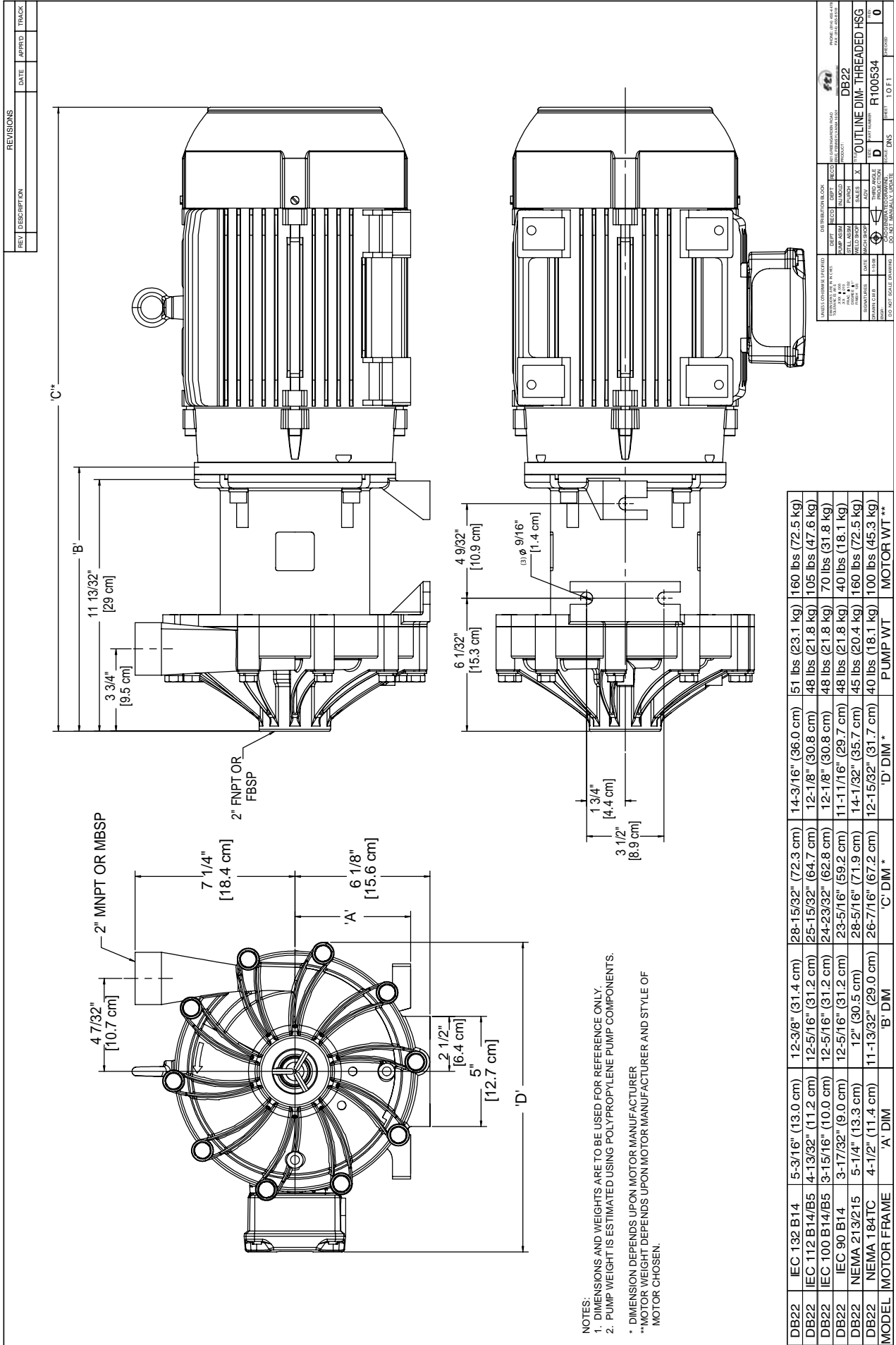


REVISIONS		DATE	APPRD	TRKCD
REV	DESCRIPTION			

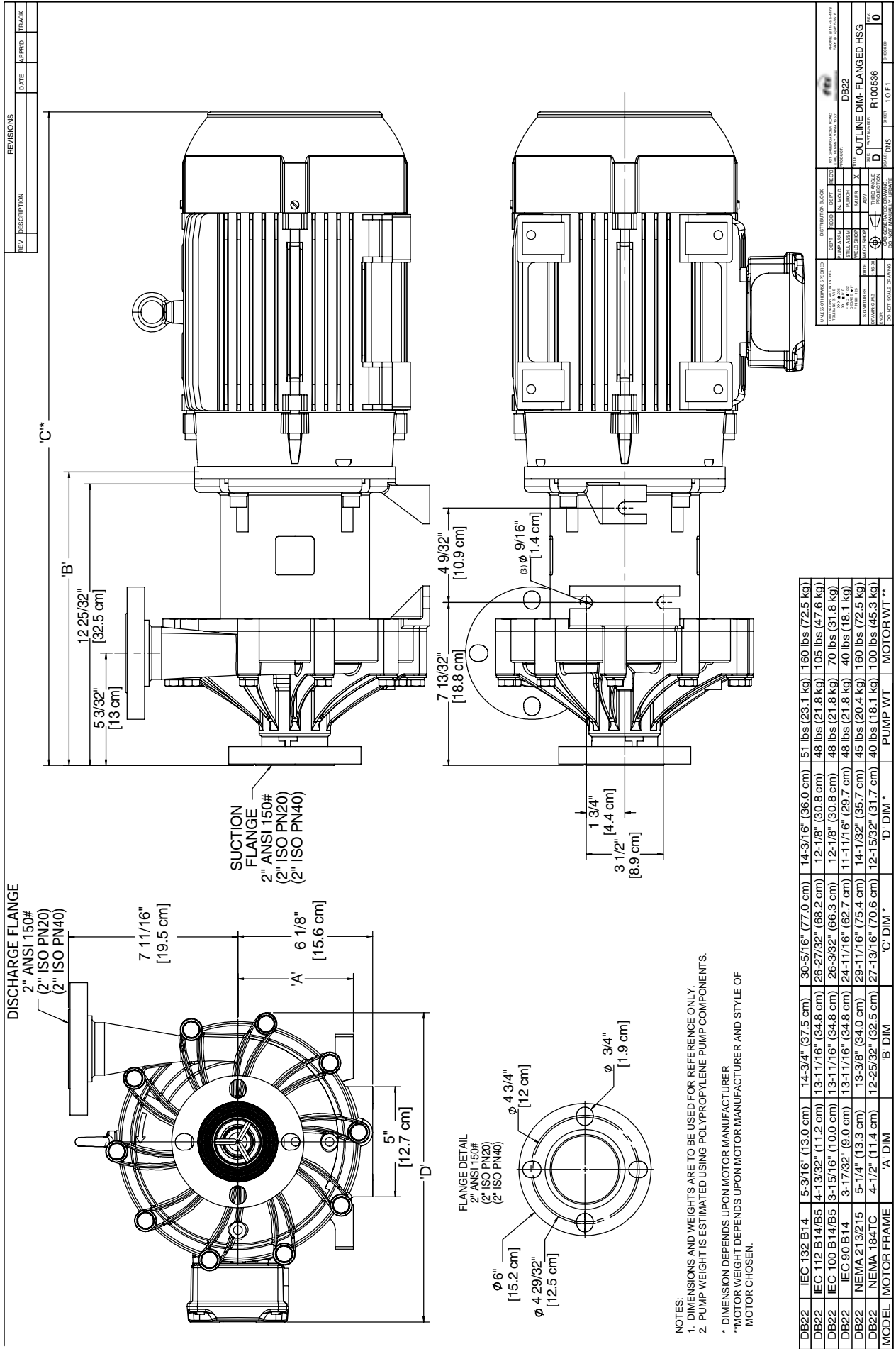
DESIGNATION		DESCRIPTION		DATE		BY		CHECKED		APPROVED	
DB11/15	100/112 B5	OUTLINE DIM-UNION	HSG								

NOTES:
 1. ALL WEIGHTS ARE ESTIMATED AND FOR REFERENCE ONLY.
 2. PUMP WEIGHT IS ESTIMATED USING POLYPROPYLENE PUMP COMPONENTS.
 * DIMENSION DEPENDS UPON MOTOR MANUFACTURER.
 ** MOTOR WEIGHT DEPENDS UPON MOTOR MANUFACTURER AND STYLE OF MOTOR USED.

DB22 Outline Dimensions - Threaded Housing



DB22 Outline Dimensions - Flange Housing



NOTES:
 1. DIMENSIONS AND WEIGHTS ARE TO BE USED FOR REFERENCE ONLY.
 2. PUMP WEIGHT IS ESTIMATED USING POLYPROPYLENE PUMP COMPONENTS.
 * DIMENSION DEPENDS UPON MOTOR MANUFACTURER
 **MOTOR WEIGHT DEPENDS UPON MOTOR MANUFACTURER AND STYLE OF MOTOR CHOSEN.

REV	DESCRIPTION	DATE	APPROV	TRACK

DATE OF ORIGINAL ISSUE	DATE OF REVISION	REVISION	BY	CHKD	APP'D

TITLE: OUTLINE DIM- FLANGED HSG
 DRAWING CODE: R100536
 SHEET: 1 OF 1